

**New**

**CW562N**

## CW500N, economical flatbed interlock stitch machine

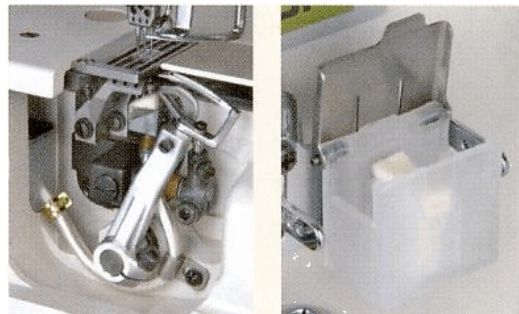
We are introducing to you this new economical interlock flatbed machine. The CW500N is a **C**ompetitive **W**-series model, with respect to price and technology. **N** is reflecting the renewed model of W500-series and we have a combination of the bottom flat bed of W1500 and the top arm bed of W562 with the conventional thread take-up. All other features are common to W562, as far as the top part is concerned and are common to W1562 as far as the bottom part of the machine is concerned.



CW562N-01Jx356BS

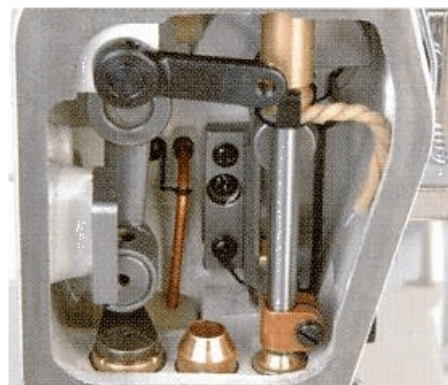


*The differential feed adjustment from outside*

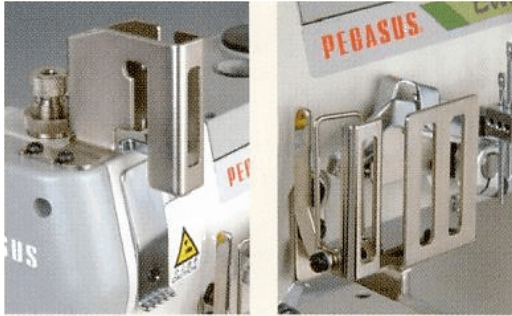


*left picture: showing the looper and the HR-device*

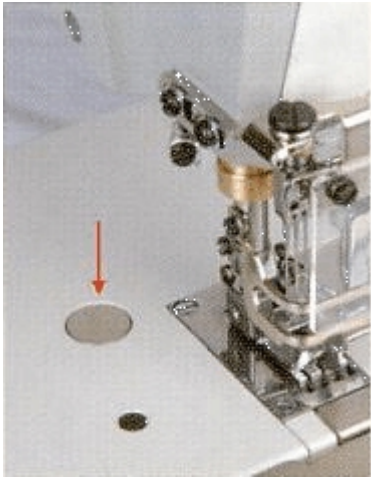
*right picture: showing the upper HR-device for lubricating the needle threads (used optional)*



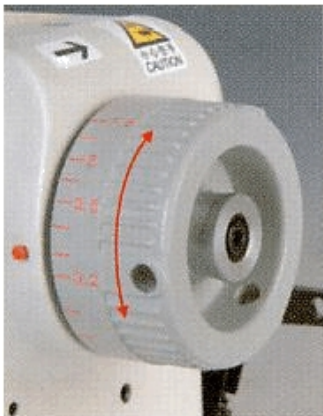
*Needle bar drive with lubrication by oil wick and vacuum suction*



*left and right picture: traditional thread take-up with finger deflector*



*Push button stitch length adjustment*



*and the traditional hand wheel*

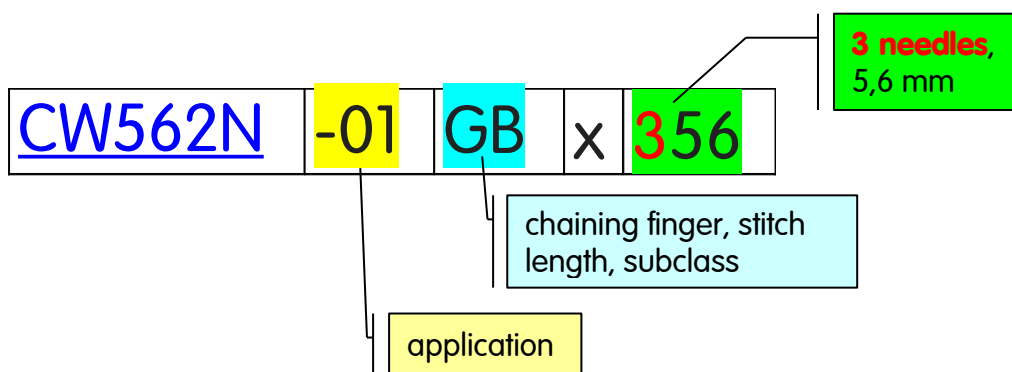
## ❖ Features and advantages

- ✓ Oil circulation by oil pump and oil filter
- ✓ Forcibly drained oil at the needle bar
- ✓ Differential feed adjustment from the outside
- ✓ Push button stitch length adjustment
- ✓ Equipped with HR-device, to allow high speed with vulnerable fabric and/or thread.
- ✓ Traditional needle thread take-up with safety protection
- ✓ Metal hand wheel is standard
- ✓ Swing-in and -out looper thread take-up for easier threading
- ✓ Gauge parts are the same like W562
- ✓ and many more of the well known features . . . . .

Please, see available subclasses and subclass specifications on appended page.

*Pegasus Europa*

## CW562N - Specifications



model	application	needles	needle distance (mm)							threads	Stitch-length (mm)	Differential ratio	Presser foot lift (mm)	speed r.p.m
			2.4	3.2	4.0	4.8	5.6	6.4	9.5					
CW562N-01GB	plain seaming versatile	2	-	o	o	-	-	-	-	4	4.4	0.5-1.3	6.3	6.000
		3	-	-	-	o	©	o	-	5			5	
CW562N-02GB	binding	2	o	o	o	o	o	-	-	4	4.4	0.5-1.3	6.3	6.000
		3	-	-	-	o	©	o	-	5			5	
CW562N-05BB /FT140/MD230	lace attaching	2	-	-	o	o	o	o	-	4	4.4	0.5-1.3	5.3	5.000
		3	-	-	-	-	©	-	-	5			5	

**Please note:**

© = standard

o = available

- = not assigned

*Pegasus Europa*